

FEATURES

1.5v Operate

Dual - Channel (IN/OUT) Temperature Measurement

Low Standby Current (typ. 2uA)

Operating Current (typ. 25uA)

Measuring Temperature Range : Indoor -50 ~ +70 degC

Outdoor -50 ~ +70 degC

Display Resolution : 0.1 degC

Accuracy : +/- 1 degC

degC /degF Switchable

MAX/MIN Temperature records

PRESET ALERT

Key- Tone



KEYS OPERATIONS

NORMAL MODE

C/F
ADJ

21.8^{IN}°C
24.0^{OUT}°C

C/F
ADJ

71.1^{IN}°F
75.2^{OUT}°F

MAX/MIN

21.8^{IN}°C
24.0^{OUT}°C

MAX/MIN

MAX 24.2^{IN}°C
MAX 30.7^{OUT}°C

MAX/MIN

MIN 19.8^{IN}°C
MIN 20.1^{OUT}°C

MAX/MIN

21.8^{IN}°C
24.0^{OUT}°C

ALERT
SET

HOLDING 1 SECOND FOR RESET MAX AND MIN TO CURRENT TEMP.

21.8^{IN}°C
24.0^{OUT}°C

C/F
ADJ

HOLDING 1 SECOND FOR SETTING ALERT TEMPERATURE RANGE

4.0^{IN}°C
- 1.0^{OUT}°C

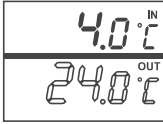

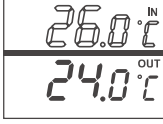
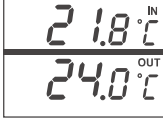
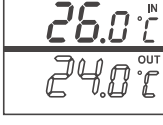
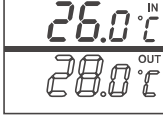
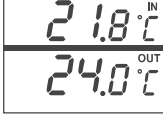

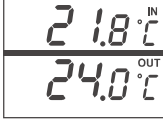


C/F
ADJ

ADDING ONE DEG C PRESS ONCE OR AUTO ADVANCED (-50 ~ +70) WHEN HOLDING THE KEY

4.0^{IN}°C
0.0^{OUT}°C



KEYS OPERATIONS

C/F ADJ	HOLDING THE KEY		
ALERT SET			
C/F ADJ	HOLDING THE KEY		
ALERT SET	Buzzer on 5 seconds and off 55 seconds when the Outdoor Temp. between (+24degC~ +26degC.)		
ALERT SET	HOLDING 1 SECOND FOR SETTING ALERT TEMPERATURE RANGE		
C/F ADJ	HOLDING THE KEY		
ALERT SET	ALERT SET	Buzzer on 5 seconds and off 55 seconds when the Outdoor Temp. <26degC or >28degC	
ALERT SET	TURN OFF ALERT		
ALERT SET	TURN ON ALERT		



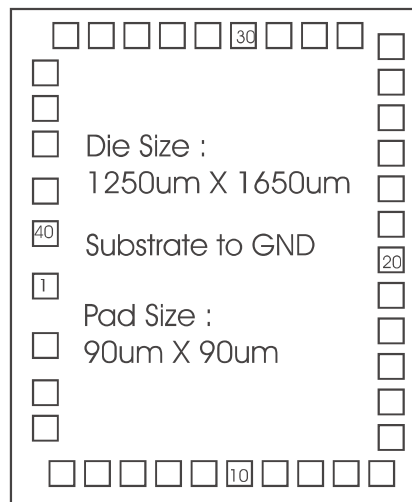
深圳市晶峰达电子科技有限公司

东莞市琪芯电子有限公司

电话: 13798528768, 0769-85338927, 传真: 85338927

邮箱: info@jfd-ic.com, QQ: 402431824

网址: www.jfd-ic.com MSN: aleafuyzf@hotmail.com



PIN ASSIGNMENT

NO	NAME	X	Y	NO	NAME	X	Y
1	XIN	72.5	712.85	21	SEG8	1176.85	919.5
2	XOUT	72.5	451.35	22	SEG9	1176.85	1041.5
3	GND	75	314.05	23	SEG10	1176.85	1163.5
4	VDD1	75	199.05	24	SEG11	1176.85	1285.5
5	VDD2	94.95	72.5	25	SEG12	1176.85	1407.5
6	VDD3	209.95	72.5	26	REF	1176.85	1534.2
7	CUP1	324.95	72.5	27	IN	1056.1	1571.3
8	CUP2	439.95	72.5	28	OUT	936.1	1571.3
9	COM1	554.95	72.5	29	SEG13	816.1	1571.3
10	COM2	669.95	72.5	30	SEG14	696.1	1571.3
11	COM3	784.95	72.5	31	SEG15	576.1	1571.3
12	N.C.	899.95	72.5	32	SEG16	456.1	1571.3
13	N.C.	1014.95	72.5	33	BZ	336.1	1571.3
14	SEG1	1129.95	72.5	34	SEG17	216.1	1571.3
15	SEG2	1176.85	187.5	35	MAX/MIN	96.1	1571.3
16	SEG3	1176.85	309.5	36	ALERT	72.5	1440.65
17	SEG4	1176.85	431.5	37	C/F	72.5	1325.65
18	SEG5	1176.85	553.5	38	RESET	72.5	1188.65
19	SEG6	1176.85	675.5	39	CAP	72.5	1029.85
20	SEG7	1176.85	797.5	40	TEST	72.5	871.65



深圳市晶峰达电子科技有限公司

东莞市琪芯电子有限公司

电话: 13798528768, 0769-85338927, 传真: 85338927

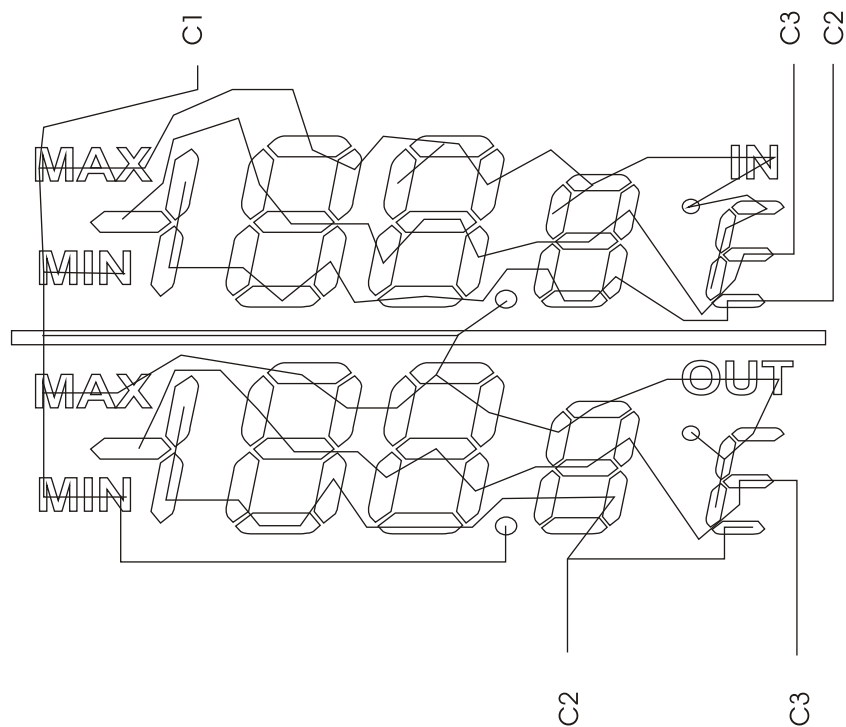
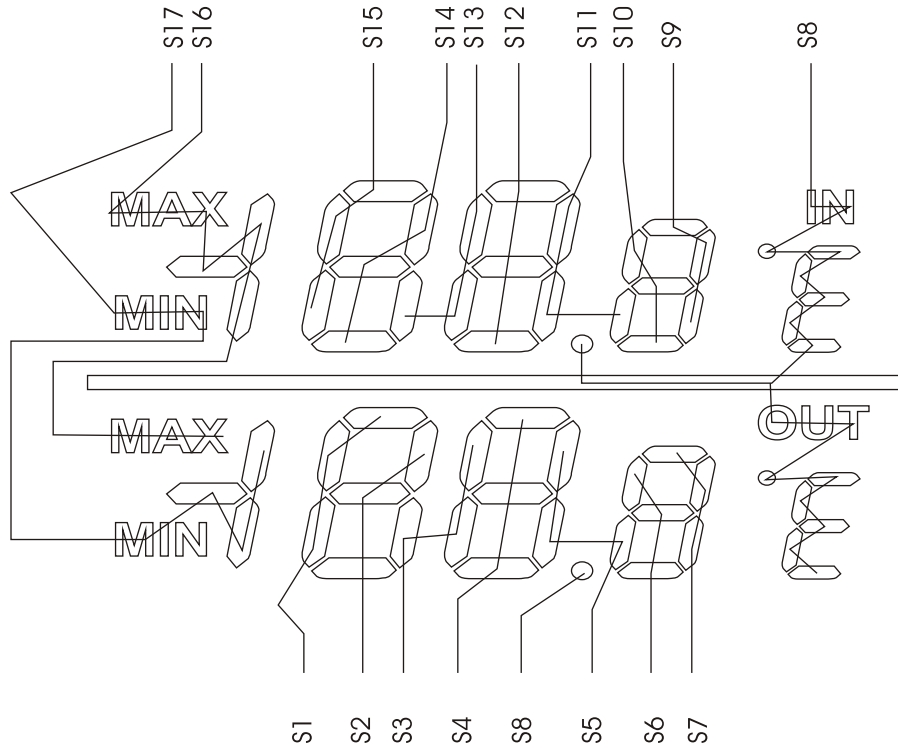
邮箱: info@jfd-ic.com, QQ: 402431824

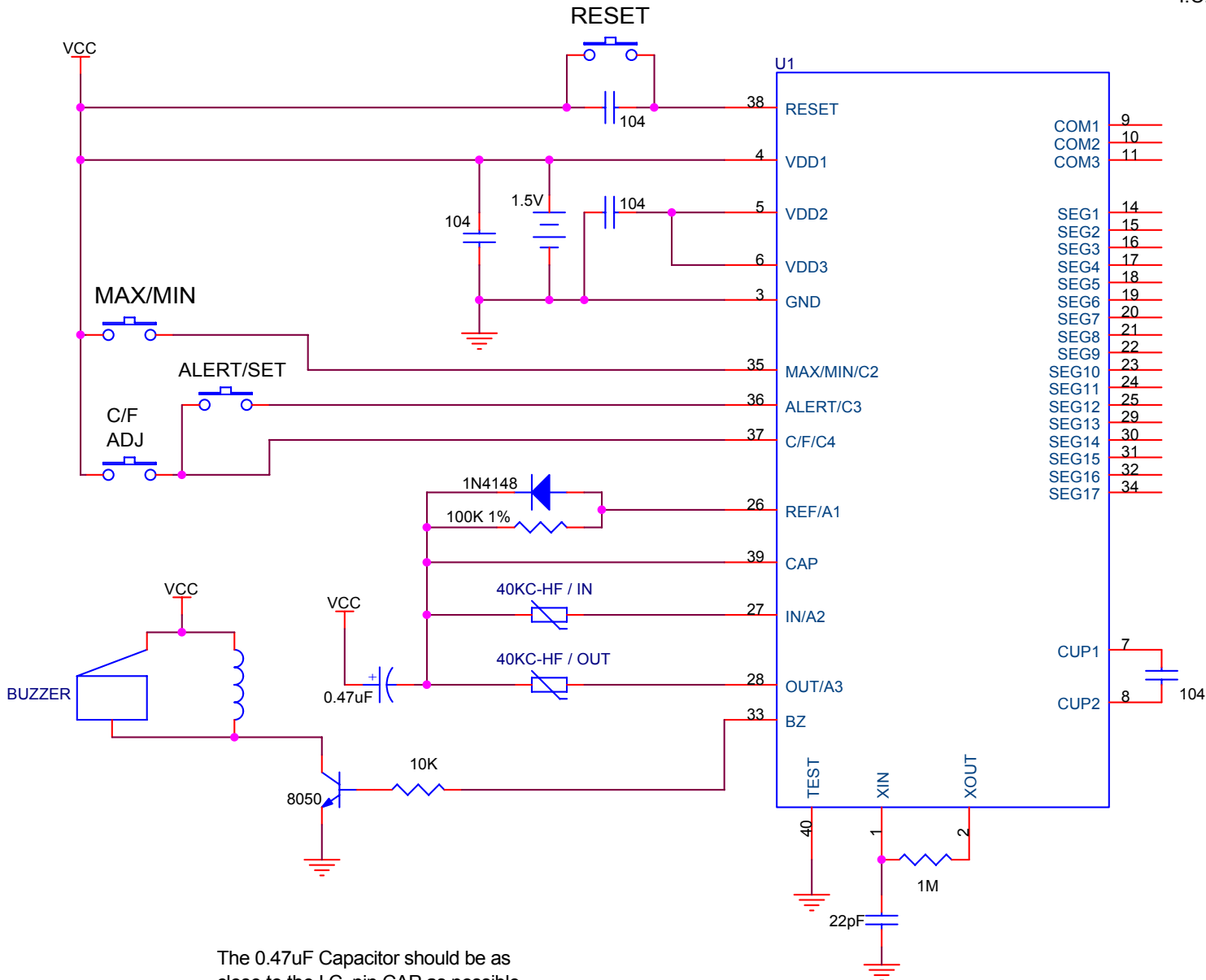
网址: www.jfd-ic.com MSN: aleafuyzf@hotmail.com

DL8140

LCD

VLCD : 3V , 1/3 DUTY , 1/2 BIAS





The 0.47uF Capacitor should be as close to the I.C. pin CAP as possible.

Title		
Size A	Document Number	Rev 1.1
Date:	Sheet 1 of 1	